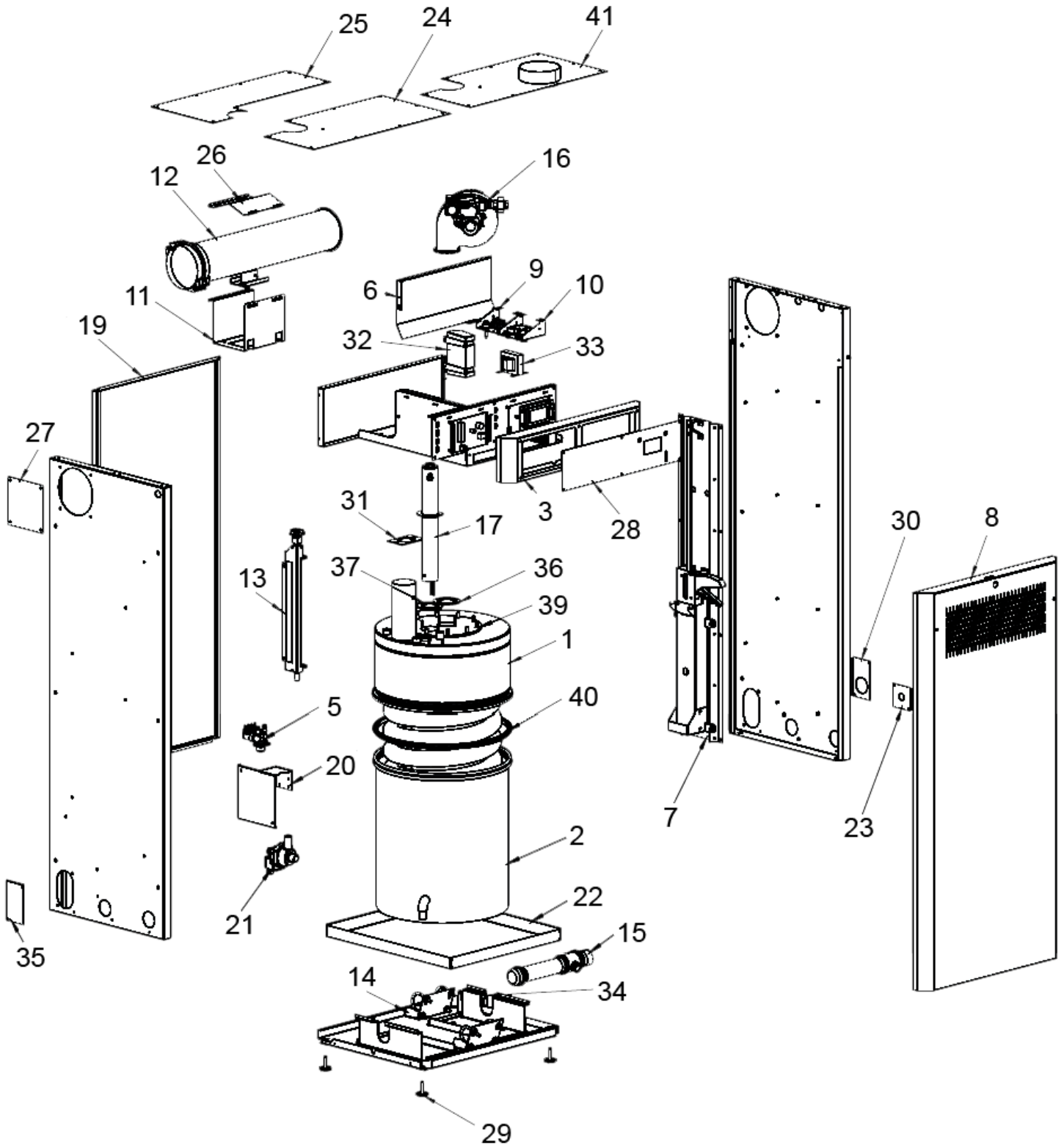


Neptronic SKG

panel





Neptronic SKG panel

No	Model	Item No	Description	£/each ex VAT
1	Module SKG 100	SPG 3207-M	Evaporation Chamber	POA
	Module SKG 150	SPG 3207-M		POA
	Module SKG 180	SPG 3207-M		POA
	Module SKG 200	SPG 3206-M		POA
2	All	SWG3208	Tank	POA
3	All	SPG 1002-6	PCB-Box	POA
4	All	SWG 1002	Cabinet	POA
5	All	SPG 4104	Two Solenoid Valves	POA
6	All	SPG 1002-12	Heat Shield	POA
7	All	SWGLIFT ASSY	Lift Mechanism	POA
8	All	SWG FRTDOOR-ASSY	Front Door	POA
9 & 10	All	SWG ELECT1	Electrical Component Report	POA
		SPG 1002-13		POA
11	All	SPG 1004-1	CHEM-BKT	POA
12	All	SPG 2201	Flue Section	POA
13	All	SWG WATLEV-ASSY	Water Level Sensor Assembly (W/ eye sight)	POA
14	All	SPG 1002-8	Gas / Drain Bracket	POA
15	SKG3-110 to 210	SWG GASIN1-ASSY	Gas Supply Assembly	POA
	SKG3-265 to 405	SWG GASIN2-ASSY		POA
	SKG3-505 to 610	SWG GASIN3-ASSY		POA
	SKG3-710 to 810	SWG GASIN4-ASSY		POA
16	Module SKG 100	SPG 2007	Combustion Blower	POA
	Module SKG 150	SPG 2013		POA
	Module SKG 180	SPG 2013		POA
	Module SKG 200	SPG 2013		POA
	Module SKG 100	SWG GASVENT51/ASSY	Ventury / Gas Valve	POA
	Module SKG 150	SWG GASVENT02/ASSY		
	Module SKG 180	SWG GASVENT51/ASSY		
	Module SKG 200	SWG GASVENT51/ASSY		
17	All	SWG IGNATOR-ASSY	Ignitor Holder Assembly (Rebuilt)	POA
19	All	SPG1002-1	Back-Door	POA
20	All	SPG 1002-15	Drain Pump-Bracket	POA
21	All	SPG 4101	Drain Pump	POA
22	All	SPG 1005	Tray	POA
23	All	SPG 1002-29	Water Supply Flange	POA
24	All	SPG 1002-16	Cover-Front	POA
25	All	SPG 1002-17	Cover-Back	POA
26	All	SPG 1004-2	Flue Section Saddle	POA
27	All	SPG1002-22	Flue Cabinet Cover	POA
28	All	SPG1002-21	Front Panel – Master Module	POA
		SPG1002-24	Front Panel – Slave Module	POA
29	All	SPG 3401	Leg Lever 3/8-16	POA
30	All	SPG 1002-23	Gas Supply Flange	POA
31	All	SPG 2107	Flue Breech Fibre Gasket	POA
32	All	SPG 2001	Gas Controller	POA
33	All	SPG 5002	Transformer – 208/230/240	POA
		SPG 5003	Transformer - 120	POA
34	All	SPG 1003-4	Gas Supply Tee Clamp	POA
35	All	SPG 1002-25	Gas Supply Blind Flange	POA
36	All	SPG 2104	Combustion Burner Gasket	POA
37	All	SPG 2103	Ignitor Holder Gasket	POA
38	Module SKG 100	SPG 2009	Burner	POA
	Module SKG 150	SPG 2015		POA
	Module SKG 180	SPG 2015		POA
	Module SKG 200	SPG 2016		POA
39	All	SPG 3203	Burner Support Assembly	POA
		SPG 2106	Burner Fiber Gasket and Refractory Kit	POA
		SPG 2108	Flue Joint Fiber Gasket	POA
40	All	SPG 2101	Evaporation Tank Gasket	POA
		SPG 3290	Flame eye sight	POA
		SPG 3035	High temperature limit switch	POA
		SPG 2204	Flue connection	POA
		SPF 2203	Flue connection collar	POA
		SPG 2206	Flue section blind flange	POA
		SPG 2111	Combustion chamber gasket	POA
		SWG WATLEV-SUB	Water level probe	POA
		SWG WATTEMP-ASSY	Water temperature probe	POA



Neptronic SKG panel

40	All	SWG AFECPROBE-ASS	Afec probe	POA
		SWG CHIMPROBE-ASSY	Flue gas probe	POA
		NW SKGAZSLAVESS	Evaporation module's control pcb	POA
		NW SKGAZMAINSS	Humidifier control pcb	POA
41	All	SPG 1002-30	Cover Front – Direct Combustion Air Option	POA
		SPG 1002-32	Filter Cover – Direct Combustion Air Option	POA
				POA
Standard 2-3 Day Delivery For Orders Below £800.00				POA
Standard 2-3 Day Delivery For Orders Above £800.00				3% of order value

* - Consumable items recommended to be kept on site

All prices are valid until 31/03/09