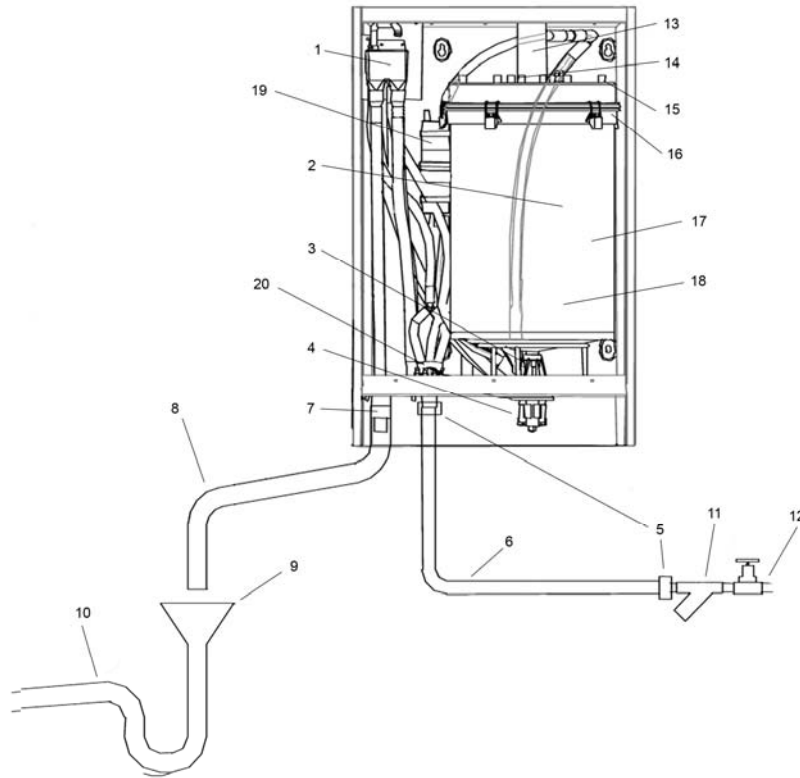


Vapac Resistive - Panel



No	Model	Item No	Description	£/each ex VAT	No	Model	Item No	Description	£/each ex VAT
1	All	EW3920268	Tundish Fill-cup	POA	18	10/20	EW1097008	Element	POA
2	All		Steam Cylinder			5/30/40/50	EW1097009		POA
3	All		Feed Drain Manifold		19	All	EW9910190	Float Chamber	POA
4	All	EW2600070	Drain Pump 50Hz	POA	20	All	EW2620351	Inlet Valve	POA
		EW2600071	Drain Pump 60Hz	POA		All	EWM990104	Float switch assembly	POA
5	All		Water Connection ¾" BSP		All	EW3910195	Drain pump manifold	POA	
6	All		Flexible Hose ¾" BSP		All	EW2560029	5mm internal hose	POA	
7	All		35Ø Steam Hose coupling and hose clips		All	EW2560026	13mm internal hose	POA	
8	All		35Ø copper or plastic drain		All	EW2560028	16mm internal hose	POA	
9	All		Tundish		All	EW2560030	22mm internal hose	POA	
10	All		U-trap side exit		All	EWM520196	35mm internal hose	POA	
11	All		Optional Strainer		All	EWM520191	55mm internal hose	POA	
12	All		Isolation stop cock		All	EW1010254	Door lock	POA	
13	All	EW3910187	O-ring for steam hose adapter	POA	All	EW1080089	Fuse 500mA	POA	
14	All	EW1210080	Klixon	POA	All	EW1080095	Fuse 2A		
15	All	EW4110012	Element Nut	POA	All	EW1060499	Contactor	POA	
		EW4120418	Element Washer	POA		EW1060501		POA	
16	5/10	EW3910172	Cylinder seal	POA	All	EW1150613	Control PCB	POA	
	20/30/40/50	EW3910173							
17	5/10	EWM010233	Liner support ring	POA	All	EW1170148	Solid state relay	POA	
	20/30/40/50	EWM010234		POA					
	20/30/40/50	EW3910109		POA					

Standard 2-3 day Mainland UK delivery is charged at 3% order value subject to minimum charge of £30. Overseas delivery £POA

All prices are valid until 31/03/09

Understanding Vapac Cylinder Serial Nos

Example – CM1N-2BA

1. **CC**
CD } Cylinder
CM

2. **1** 4kg/hr
2 6-8kg/hr
3 15kg/hr
4 30,45,90kg/hr
5 60kg/hr

3. **N** Normal plates (mesh)
L Low Conductivity (stainless steel)
H High conductivity

4. **2**
3 } Number of electrodes
6
12

5. **B** With Barrier
W Without Barrier

6. **O** 22mm Outlet
A 35mm Outlet
B 54mm Outlet

Therefore CM1N-2BA = CM Cylinder
4kg/hr output
Normal plates
2 Electrodes
With Barrier
35mm Outlet